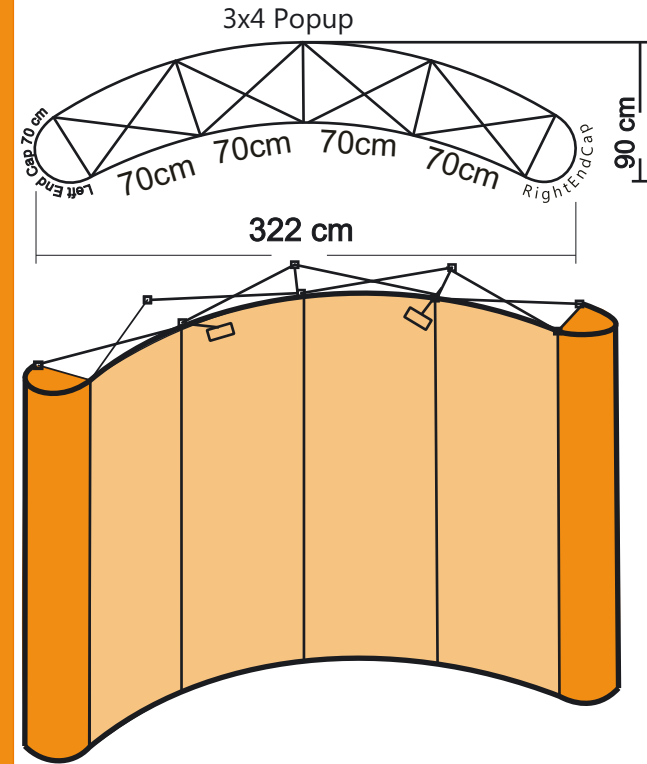
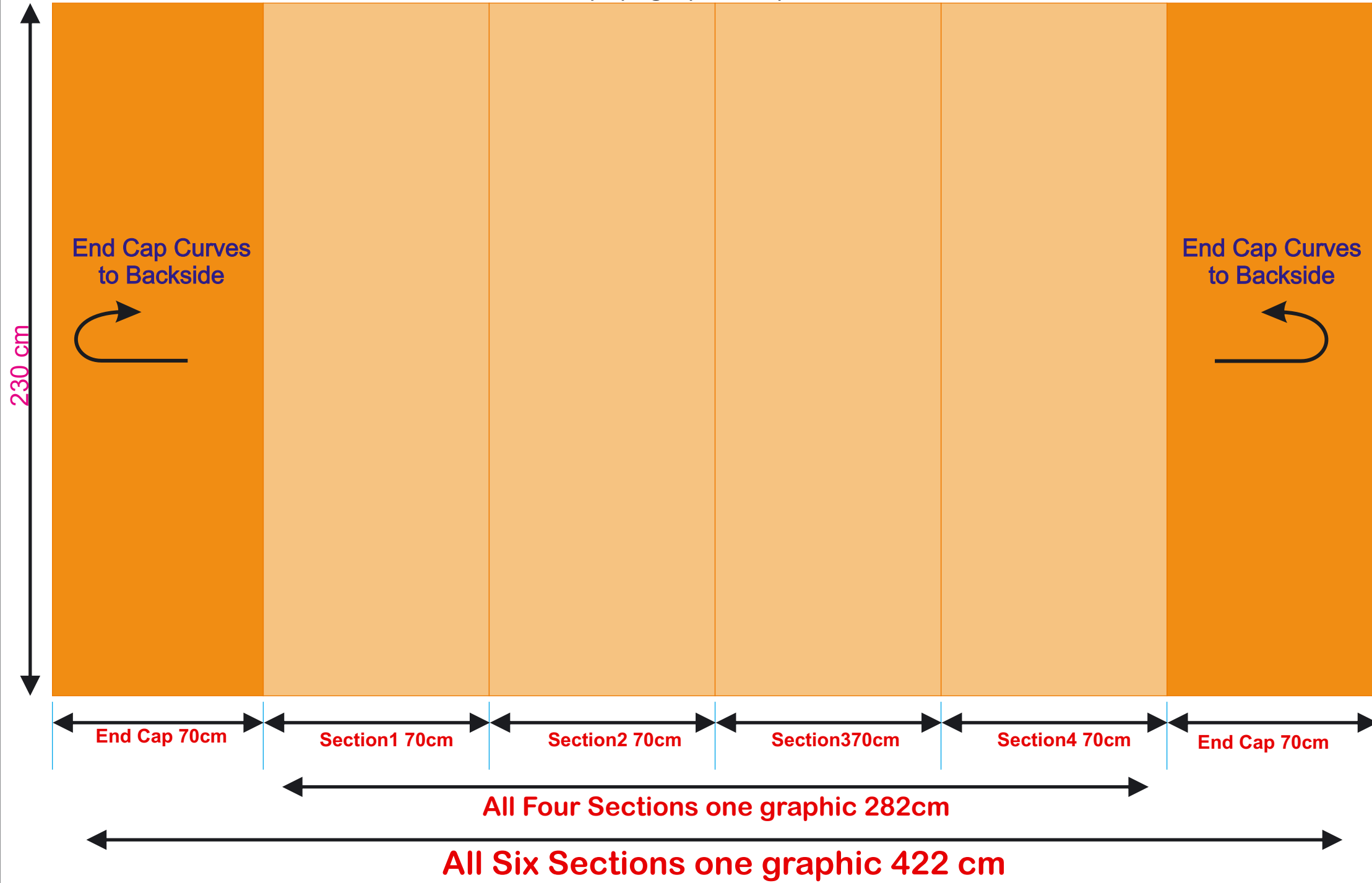



# 3x4 Curved Popup graphic requirement



 We need a single graphic which will be trimmed by us while printing. Light colored section has to be preferably single design of 230cm high x 282 width. \*If end cap is part of over all design follow the size as in illustration above that is 230 ht x 422 cm wide. Extra 2 cm is for bleed cut or alignment as the need be